

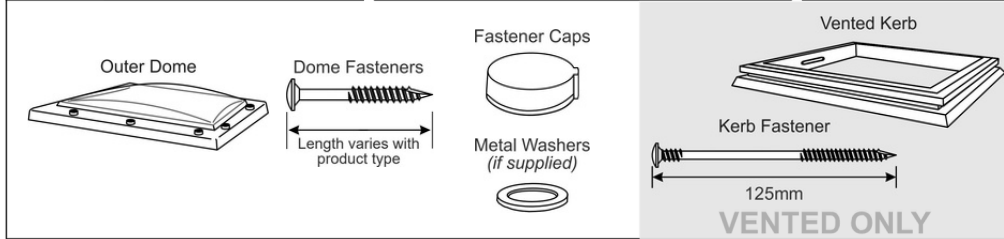
# Dome Rooflight



# TB186

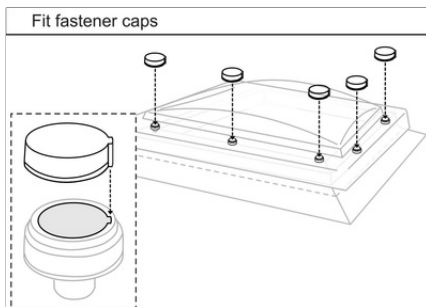
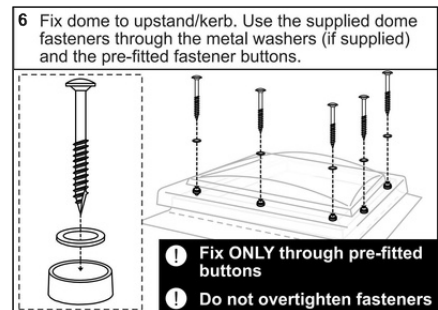
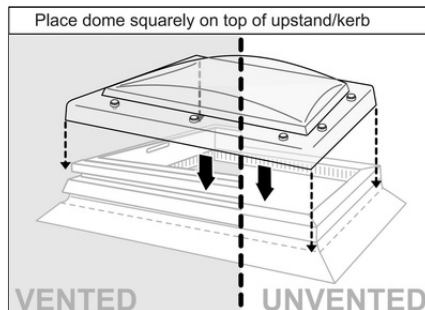
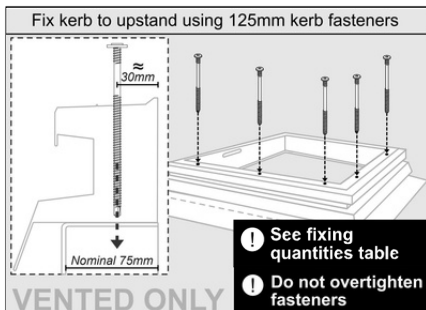
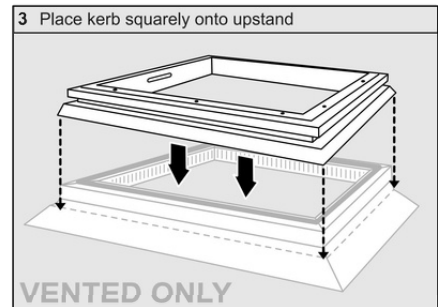
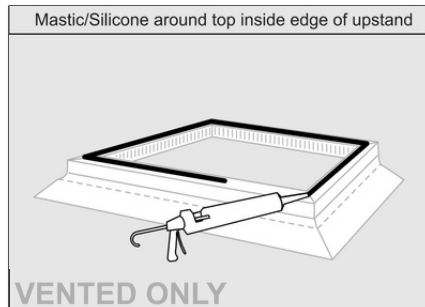
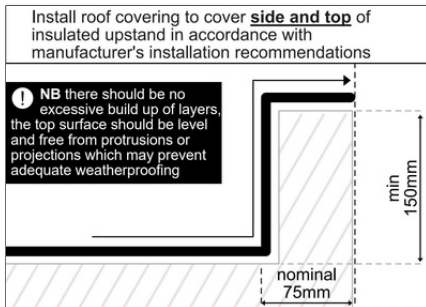
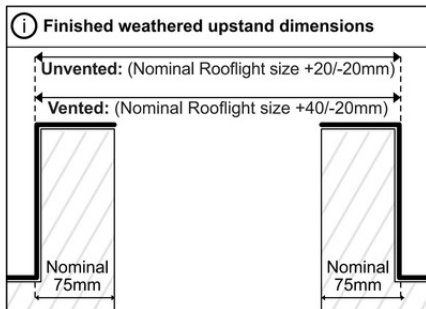
Fixed Dome on builders upstand

**Contents** **!** Take care when unpacking **Check all correct parts are included and undamaged** **Only use fixings supplied**



Fixing Quantities	
Length of Nominal Dome Side (mm)	Number of fixings per side
600, 750	2
900, 1050, 1200	3
1350, 1500, 1650	4
1800, 1950	5
2100, 2250	6
2400	7

**!** All Health & Safety Regulations must be followed on site throughout the installation process



**Skylights.co.uk**  
by KingsView

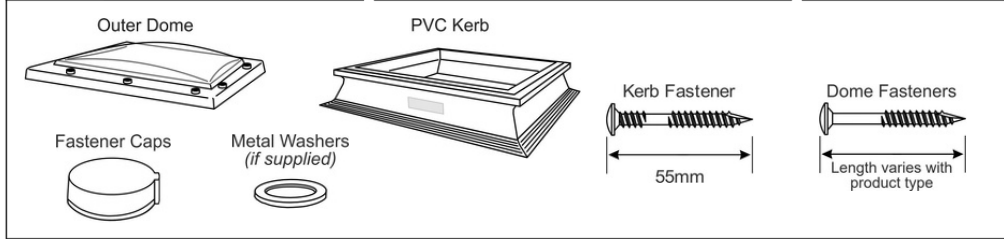
# Dome Skylight



# TB186

Fixed Dome on PVC kerb

**Contents** **!** Take care when unpacking **Check all correct parts are included and undamaged** **Only use fixings supplied**



Fixing Quantities	
Length of Nominal Dome Side (mm)	Number of fixings per side
600, 750	2
900, 1050, 1200	3
1350, 1500, 1650	4
1800, 1950	5
2100, 2250	6
2400	7

**!** All Health & Safety Regulations must be followed on site throughout the installation process

