

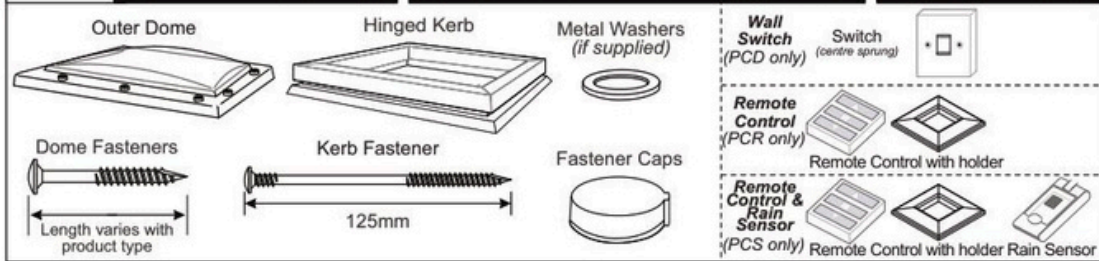
Opening Dome



TB189

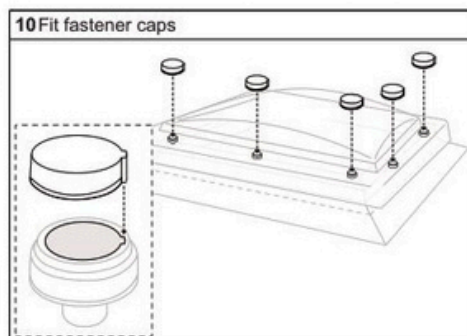
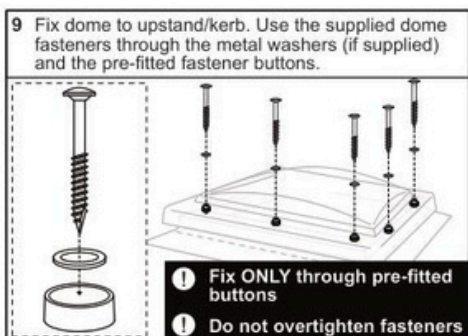
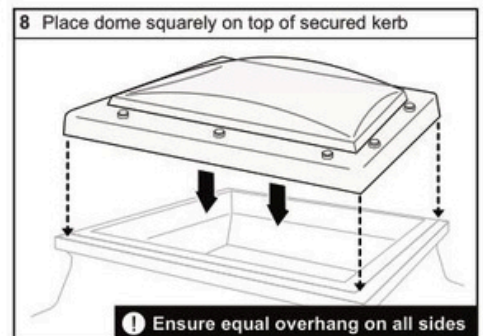
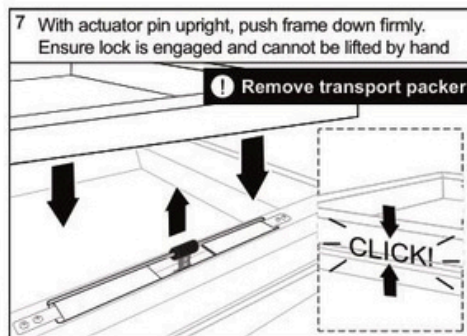
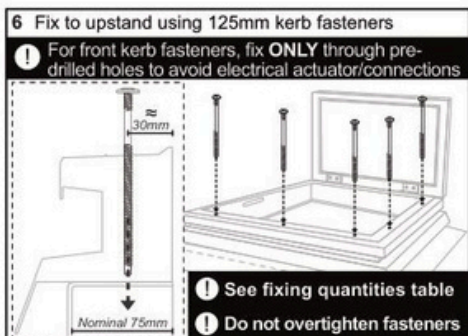
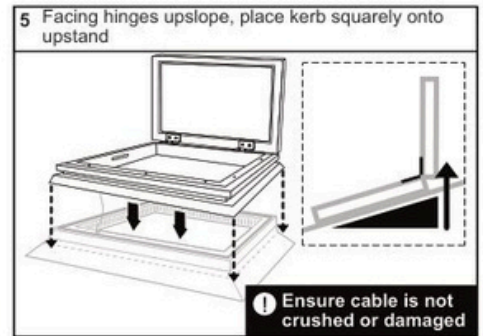
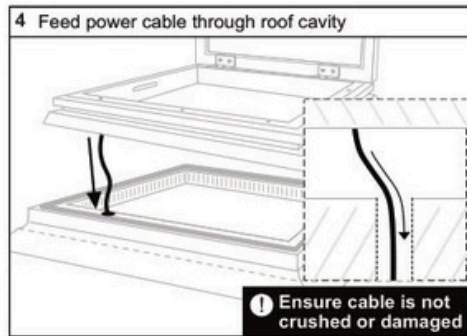
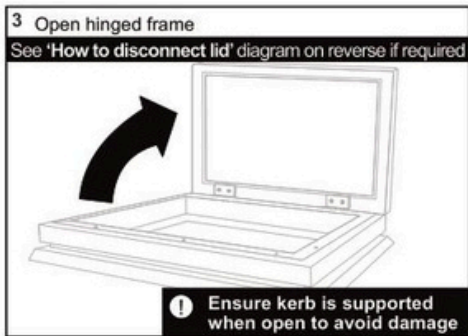
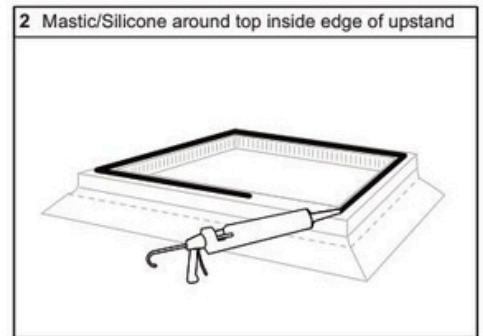
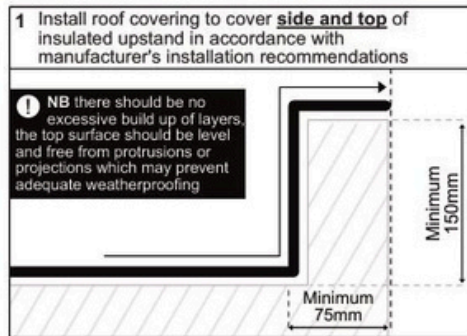
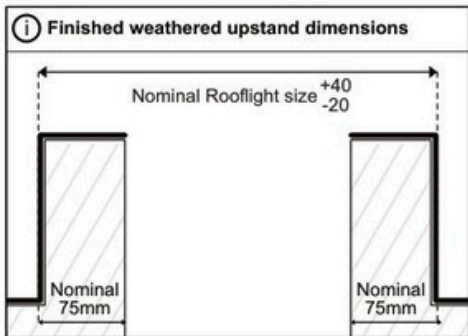
Powered Opening Dome on builders upstand

Contents **!** Take care when unpacking **!** Check all correct parts are included and undamaged **!** Only use fixings supplied



Fixing Quantities	
Length of Nominal Dome Side (mm)	Number of fixings per side
600, 750	2
900, 1050, 1200	3
1350, 1500, 1650	4
1800, 1950	5
2100, 2250	6
2400	7

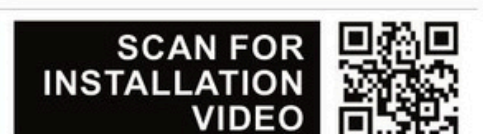
! All Health & Safety Regulations must be followed on site throughout the installation process



11 Connect electrics (see diagrams on pages 3 & 4)

This should only be completed by a suitably qualified electrician

! TECHNICAL SUPPORT: For any technical information/queries please contact your supplier. The manufacturer operates a policy of continuous product improvement, and reserves the right to alter specifications at any time without notice. Every effort has been taken to ensure all details contained in this document are correct at the time of going to press but this document should be used only as a guide and does not in any way form part of a contract or warranty. It is the customer's responsibility to ensure that the product is suitable for the actual conditions of use, which are beyond the control of the manufacturer.



Opening Dome



TB189

Powered Opening Dome on PVC kerb

Contents **!** Take care when unpacking **!** Check all correct parts are included and undamaged **!** Only use fixings supplied

<p>Outer Dome</p> <p>150mm/300mm Hinged kerb</p>	<p>Dome Fasteners</p> <p>Length varies with product type</p> <p>Kerb Fastener</p> <p>55mm</p>	<p>Metal Washers (if supplied)</p> <p>Fastener Caps</p>	<p>Wall Switch (PCD only)</p> <p>Switch (centre sprung)</p> <p>Remote Control (PCR only)</p> <p>Remote Control & Rain Sensor (PCS only)</p>
--	---	---	---

Fixing Quantities	
Length of Nominal Dome Side (mm)	Number of fixings per side
600, 750	2
900, 1050, 1200	3
1350, 1500, 1650	4
1800, 1950	5
2100, 2250	6
2400	7

! All Health & Safety Regulations must be followed on site throughout the installation process

1 Mastic/Silicone around the edge of the roof opening

2 Feed power cable through roof cavity

! Ensure cable is not crushed or damaged

3 Facing hinges upslope, place kerb squarely over roof opening

4 Fix kerb to roof using 55mm kerb fasteners
Remove and retain label

! See fixing quantities table
! Do not overtighten fasteners

5 Install roof covering according to manufacturer's installation recommendations

If required, lightly torch roof covering.

! NEVER apply direct heat or naked flame to the rooflight
! Fit using instructions on kerb label

6 Terminate roof covering in accordance with instructions on retained kerb label

7 Place dome squarely on top of secured kerb

! Ensure equal overhang on all sides

8 Fix dome to upstand/kerb. Use the supplied dome fasteners through the metal washers (if supplied) and the pre-fitted fastener buttons.

! Fix ONLY through pre-fitted buttons
! Do not overtighten fasteners

9 Fit fastener caps

10 Connect electrics (see diagrams on pages 3 & 4)

This should only be completed by a suitably qualified electrician

! How to disconnect lid (if required)

! TECHNICAL SUPPORT: For any technical information/queries please contact your supplier. The manufacturer operates a policy of continuous product improvement, and reserves the right to alter specifications at any time without notice. Every effort has been taken to ensure all details contained in this document are correct at the time of going to press but this document should be used only as a guide and does not in any way form part of a contract or warranty. It is the customer's responsibility to ensure that the product is suitable for the actual conditions of use, which are beyond the control of the manufacturer.

SCAN FOR INSTALLATION VIDEO

Opening Dome

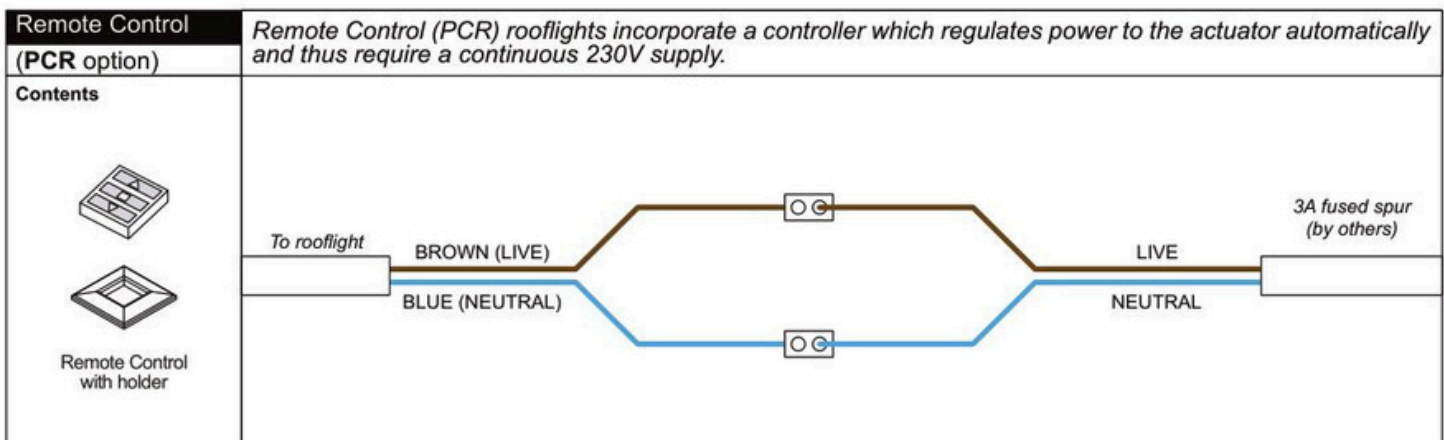
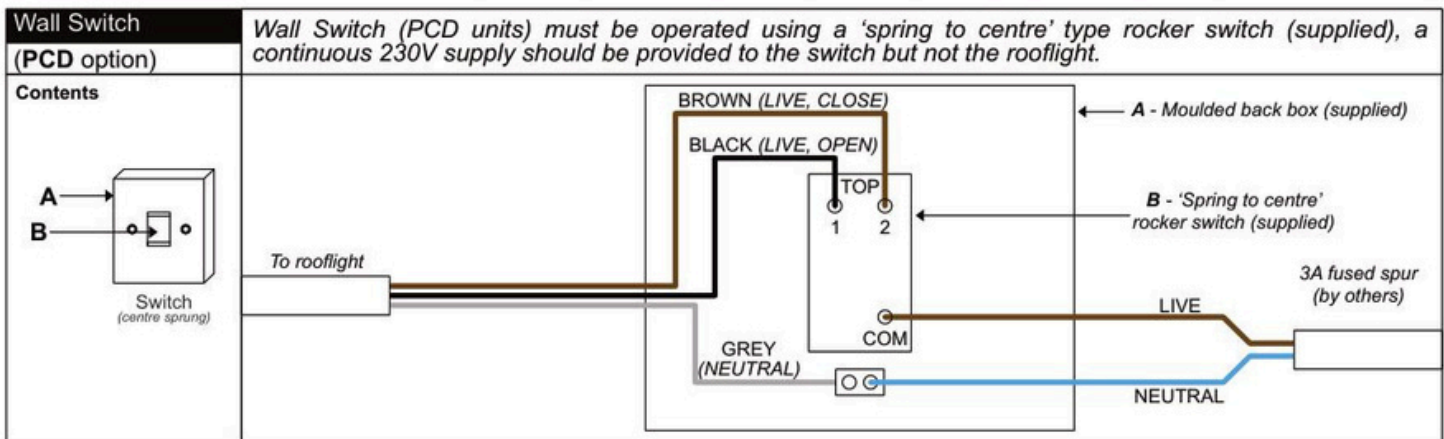


TB189

Powered Opening Rooflight
Electrical Connections
Wall Switch / Remote Control

Connect electrics **ⓘ** Please note that all wiring and commissioning must be undertaken by a suitably trained and qualified person. The installer must ensure that all wiring runs, cable thickness and earthing etc. meet current regulations.

230V (AC) actuators must not be operated by supplying continuous power to the actuator; this will damage the actuator over time and void any warranty.



Skylights.co.uk
by KingsView

Opening Dome



TB189

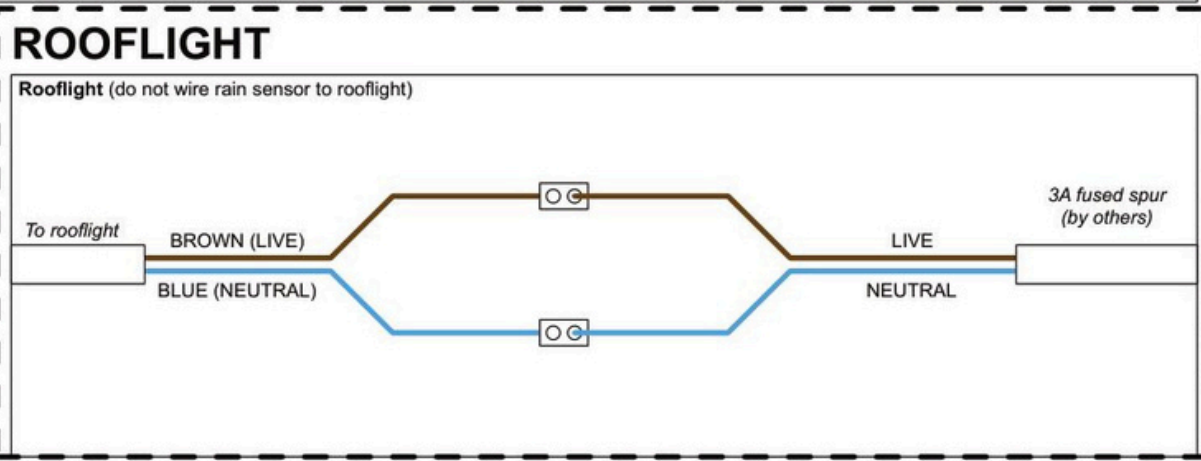
Powered Opening Rooflight
Electrical Connections
Remote Control with Rain Sensor

Remote Control with Rain Sensor (PCS option)

Remote Control with Rain Sensor (PCS) rooflights incorporate a controller which regulates power to the actuator automatically and thus require a continuous 230V supply. The rain sensor that comes with PCS units requires a continuous 230V supply and **communicates with the rooflight wirelessly (DO NOT WIRE TO ROOFLIGHT).**

Contents

- Rain Sensor
- Remote Control with holder



RAIN SENSOR

- 1 - Rain Sensor** Identify suitable location for rain sensor. **Must be positioned somewhere it will be hit by rain**
- 2** Thread 2 core electrical supply cable (3-5A rated flex) through the access point on the mounting plate and the grey grommet from the rear. Fit mounting plate to wall/surface.

3-5A rated flex
SUITABLE FOR OUTDOOR USE

From 3A fused spur (by others)
- 3** Wire into green terminal. Once wired, connect green terminal strip into mounting plate.

Do not use

LIVE NEUTRAL
- 4** Connect sensor to mounting plate, making sure pins are aligned correctly. Fasten rain sensor to mounting plate.
- 5** Check green LED lights up when power is turned on. If not, remove transparent cover and press yellow test button, LED should flash amber.

Transparent cover

Yellow test button

LED

DO NOT ADJUST
- 6** Clip waterproof cowling over the top and ensure all electrics are properly sealed and weatherproofed.